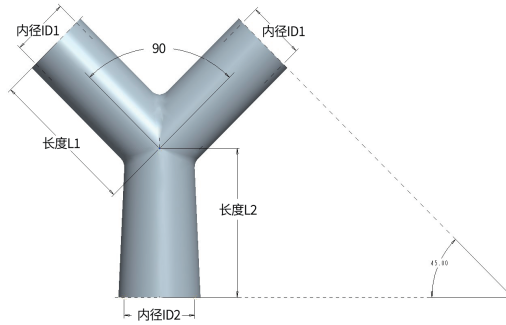




Y 型硅胶软管 EY40

Y-type silicone hose EY40



材料结构：

内 / 外管：工业级硅胶，颜色支持定制
 增强层：四层高强度涤纶编织布

Material structure:

Inner / outer tubes: industrial grade silicone, color support customization
 Reinforcing layer: Four layer high strength polyester woven cloth

尺寸规格：

内径：Ø51mm---102mm (支持定制)
 标准长度：130*130mm (支持定制)
 工作温度范围：-60°C / +180°C

Dimensions:

Internal diameter : Ø51mm---102mm(Support customization)
 Standard length : 130*130mm(Support customization)
 Length operating temperature range : -60°C / +180°C

适用流体类型

Applicable fluid type



产品应用：

本产品耐高低温，具有良好的稳定性和耐耐弱酸碱性，优良的电绝缘性，耐电弧性，主要应用于各类车辆的发动机改装，赛车改装，以满足玩车族们对时尚元素的追求。

Product application:

This product is resistant to high and low temperatures, has good stability and resistance to weak acids and alkalis, excellent electrical insulation and arc resistance, and is mainly used for engine modification and racing car modification of all kinds of vehicles to meet the pursuit of fashion elements by car enthusiasts.

Automobile silicone hose

产品优势

Product advantages



品名 (Reference) Part No.:	内径 (Inside Demesion)		壁厚 (Thickness) +/-0.3mm	布层 (Ply)	标准长度 (length) L1*L2
	(mm)	(inch)			
EY40-51/63	51mm*63mm	2" *2.5"	5mm	四层涤纶	130mm*130mm
EY40-51/76	51mm*76mm	2" *3"	5mm	四层涤纶	130mm*130mm
EY40-63/76	63mm*76mm	2.5" *3"	5mm	四层涤纶	130mm*130mm
EY40-63/89	63mm*89mm	2.5" *3.5"	5mm	四层涤纶	130mm*130mm