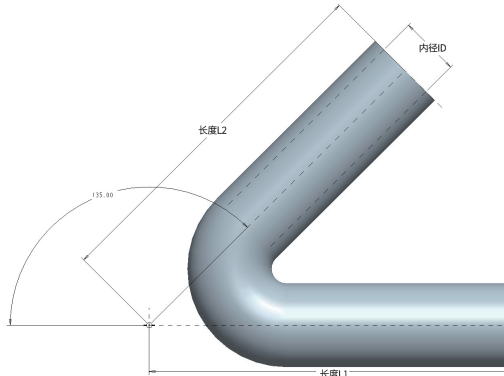




135 度弯硅胶软管 EB135

135 degree silicone hose EB135



产品优势

Product advantages



适用流体类型

Applicable fluid type



材料结构:

内/外管: 工业级硅胶, 颜色支持定制
 增强层: 四层高强度纤维编织布

Material structure:

Inner/outer tubes: industrial grade silicone, color support customization
 Reinforcing layer: four layers of high-strength fiber woven cloth

尺寸规格:

内径: Ø6mm---102mm (支持定制)
 标准长度: 100*100,150*150,200*200mm (支持定制)
 工作温度范围: -60°C / +180°C

Dimensions:

Internal diameter : Ø6mm---102mm(Support customization)
 Standard length : 100*100,150*150,200*200mm
 (Support customization)
 Length operating temperature range : -60°C / +180°C

产品应用:

可以过热空气和热水, 具有良好的耐高温性, 常做为汽车, 货柜车, 公共汽车发动机的冷却水管, 中冷进气管, 涡轮增压管等。常见长度为 100*100,150*150,200*200MM, 尺寸颜色厚度都可支持定制。

Product application:

It can overheat air and hot water, and has good temperature resistance. It is often used as the cooling water pipe, intercooling inlet pipe, turbocharger pipe, etc. of automobile, container truck, bus engine. The common length is 100*100,150*150,200*200mm, size, color and thickness can be customized.

品名 (Reference) Part No.:	内径 (Inside Demesion)		壁厚 (Thickness) +/-0.8mm	工作压力 (working press)		最大爆破压力 (Burst Press)		标准长度 (length) L1*L2
	(mm)	(inch)		Bar	psi	Bar	psi	
EB135-006	6	1/4"	5.2	11.7	169	35.0	508	152*152
EB135-008	8	5/16"	5.2	10.7	155	32.0	464	152*152
EB135-010	10	3/8	5.2	9.7	140	29.0	421	152*152
EB135-013	13	1/2	5.2	8.7	126	26.0	377	152*152
EB135-016	16	5/8	4.5	8.0	116	24.0	348	152*152
EB135-019	19	3/4	4.5	7.7	111	23.0	334	152*152
EB135-025	25	1	4.5	6.7	97	20.0	290	152*152
EB135-032	32	1-1/4	4.5	5.7	82	17.0	247	152*152
EB135-038	38	1-1/2	4.5	5.0	73	15.0	218	152*152
EB135-045	45	1-3/4	4.5	4.5	65	13.5	195	152*152
EB135-051	51	2	4.5	4.0	58	12.0	174	152*152
EB135-057	57	2-1/4	4.5	3.7	53	11.1	160	152*152
EB135-063	63	2-1/2	4.5	3.3	48	10.0	145	152*152
EB135-076	76	3	4.5	2.7	39	8.0	116	152*152
EB135-089	89	3-1/2	4.5	2.0	29	6.0	87	152*152
EB135-102	102	4	4.5	1.7	24	5.0	73	152*152

Automobile silicone hose