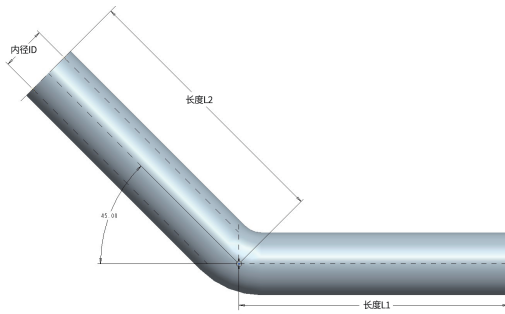
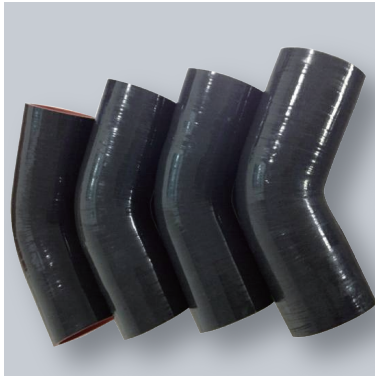




# 45 度弯硅胶软管 EB45

## 45 degree silicone hose EB45



### 材料结构:

内/外管: 工业级硅胶, 颜色支持定制  
 增强层: 四层高强度纤维编织布

### Material structure:

Inner/outer tubes: industrial grade silicone, color support customization  
 Reinforcing layer: four layers of high-strength fiber woven cloth

### 尺寸规格:

内径: Ø6mm---102mm (支持定制)  
 标准长度: 100\*100,150\*150,200\*200mm (支持定制)  
 工作温度范围: -60°C / +180°C

### Dimensions:

Internal diameter : Ø6mm---102mm(Support customization)  
 Standard length : 100\*100,150\*150,200\*200mm  
 (Support customization)  
 Length operating temperature range : -60°C / +180°C

### 产品应用:

可以过热空气和热水, 具有良好的耐温性, 常做为汽车, 货柜车, 公共汽车发动机的冷却水管, 中冷进气管, 涡轮增压管等。常见长度为 100\*100,150\*150,200\*200MM, 尺寸颜色厚度都可支持定制。

### Product application:

It can overheat air and hot water, and has good temperature resistance. It is often used as the cooling water pipe, intercooling inlet pipe, turbocharger pipe, etc. of automobile, container truck, bus engine. The common length is 100\*100,150\*150,200\*200mm, size, color and thickness can be customized.

## Automobile silicone hose

品名 (Reference) Part No.:	内径 (Inside Demesion)		壁厚 (Thickness) +/-0.8mm	工作压力 (working press)		最大爆破压力 (Burst Press)		标准长度 (length) L1*L2
	(mm)	(inch)		Bar	psi	Bar	psi	
EB45-006	6	1/4"	5.2	11.7	169	35.0	508	152*152
EB45-008	8	5/16"	5.2	10.7	155	32.0	464	152*152
EB45-010	10	3/8	5.2	9.7	140	29.0	421	152*152
EB45-013	13	1/2	5.2	8.7	126	26.0	377	152*152
EB45-016	16	5/8	4.5	8.0	116	24.0	348	152*152
EB45-019	19	3/4	4.5	7.7	111	23.0	334	152*152
EB45-025	25	1	4.5	6.7	97	20.0	290	152*152
EB45-032	32	1-1/4	4.5	5.7	82	17.0	247	152*152
EB45-038	38	1-1/2	4.5	5.0	73	15.0	218	152*152
EB45-045	45	1-3/4	4.5	4.5	65	13.5	195	152*152
EB45-051	51	2	4.5	4.0	58	12.0	174	152*152
EB45-057	57	2-1/4	4.5	3.7	53	11.1	160	152*152
EB45-063	63	2-1/2	4.5	3.3	48	10.0	145	152*152
EB45-076	76	3	4.5	2.7	39	8.0	116	152*152
EB45-089	89	3-1/2	4.5	2.0	29	6.0	87	152*152
EB45-102	102	4	4.5	1.7	24	5.0	73	152*152

### 产品优势

### Product advantages



### 适用流体类型

### Applicable fluid type

